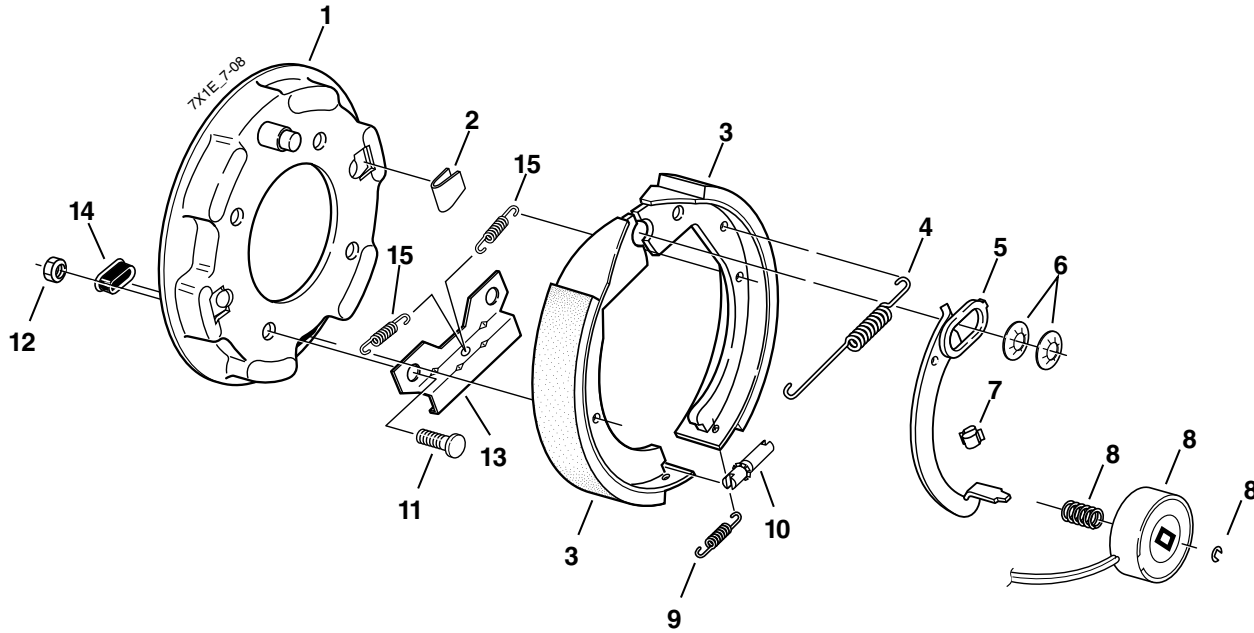


7" x 1¼" Electric Brake



Torflex® CSA approved at 2000#/11.3 SLR; 2200#/10.2 SLR
 Sprung CSA approved at 2000#/12.8 SLR; 2200#/10.2 SLR

600 - 1100 LBS. CAPACITY



Electric Brake

Item	Part No.	Qty/Brk	Description
0	K23-047-00	1	LH Complete Brake Assembly (shown)
0	K23-048-00	1	RH Complete Brake Assembly
1	036-036-04	1	Backing Plate Assembly (includes items #11, 13)
2	046-023-00	2	Shoe Hold Down Clip
3	K71-045-00	1	Shoe & Lining Kit Contains: 1 #040-125-00 Primary Shoe & Lining 2 #040-049-00 Secondary Shoe & Lining
4	046-024-00	1	Retractor spring
5	047-114-04	1	LH Actuating Lever Arm
5	047-115-04	1	RH Actuating Lever Arm
6	046-030-00	2	Anchor Post Clip
7	027-005-00	1	Wire Clip
For brakes manufactured after 4/1/90			
8	K71-057-00	1	Magnet Kit Contains: 1 #040-134-00 Magnet 1 #040-121-00 Magnet Clip 1 #046-086-00 Magnet Spring
9	046-022-00	1	Adjusting Screw Spring
10	043-021-00	1	Adjusting Screw
11	007-041-00	4	Brake Mounting Bolt - Press-in
*12	006-017-00	4	Brake Mounting Nut
13	064-001-00	1	Stabilizer Bracket
14	046-007-00	1	Adjuster Slot Plug
For brakes manufactured after 8/1/91			
15	046-114-00	2	Shoe Centering Spring

* Not included with complete brake assembly. Item sold separately.

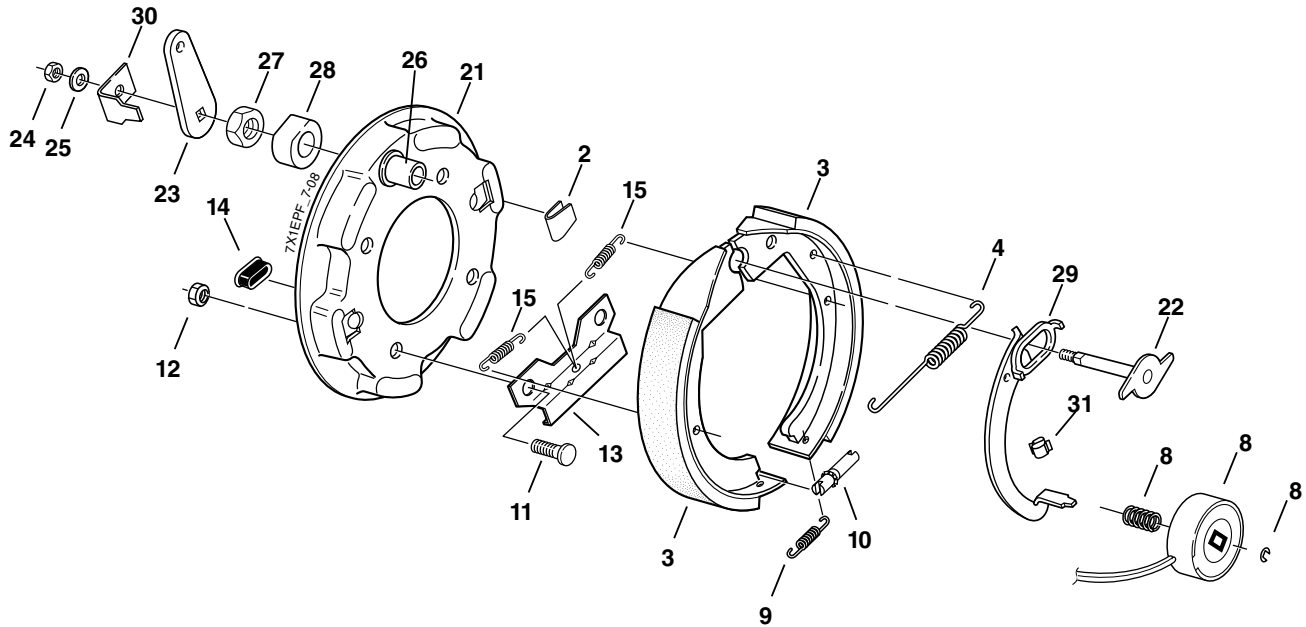
This brake is rated to a maximum capacity of 2200 lbs. / pair

7" x 1¼" Electric Brake With Parking Feature



CSA approved at 2000#/11.3 SLR; 2200#/10.2 SLR

600 - 1100 LBS. CAPACITY



Electric Parking Brake

Item	Part No.	Qty/Brk	Description
0	K23-103-00	1	LH Complete Brake Assembly (shown)
0	K23-104-00	1	RH Complete Brake Assembly
2	046-023-00	2	Shoe Hold Down Clip
3	K71-045-00	1	Shoe & Lining Kit Contains: 1 #040-125-00 Primary Shoe & Lining 2 #040-049-00 Secondary Shoe & Lining
4	046-024-00	1	Retractor spring
For brakes manufactured after 4/1/90			
8	K71-057-00	1	Magnet Kit Contains: 1 #042-134-00 Magnet 1 #046-121-00 Magnet Clip 1 #046-086-00 Magnet Spring
9	046-022-00	1	Adjusting Screw Spring
10	043-021-00	1	Adjusting Screw
11	007-041-00	4	Brake Mounting Bolt - Press-in
*12	006-017-00	4	Brake Mounting Nut
13	064-001-00	1	Stabilizer Bracket
14	046-007-00	1	Adjuster Slot Plug
For brakes manufactured after 8/1/91			
15	046-114-00	2	Shoe Centering Spring

* Not included with complete brake assembly. Item sold separately.

Electric Parking Brake

Item	Part No.	Qty/Brk	Description
21	036-036-07	1	LH Backing Plate & Lever Arm (includes items #22-30, 2, 11, 13)
21	036-036-08	1	RH Backing Plate & Lever Arm (includes items #22-30, 2, 11, 13)
22	039-041-00	1	LH Pivot Pin & Cam Sub-Assembly
22	039-042-00	1	RH Pivot Pin & Cam Sub-Assembly
23	047-079-00	1	Lever
24	006-075-00	1	Self Locking Nut
25	005-056-00	1	Washer
26	038-057-00	1	Anchor Pin
27	006-074-00	1	Self Locking Nut
28	071-031-00	1	Spacer
29	047-114-02	1	LH Lever Arm & Cam Assembly
29	047-115-02	1	RH Lever Arm & Cam Assembly
30	071-033-00	1	Lever Stop
31	027-005-00	1	Wire Clip

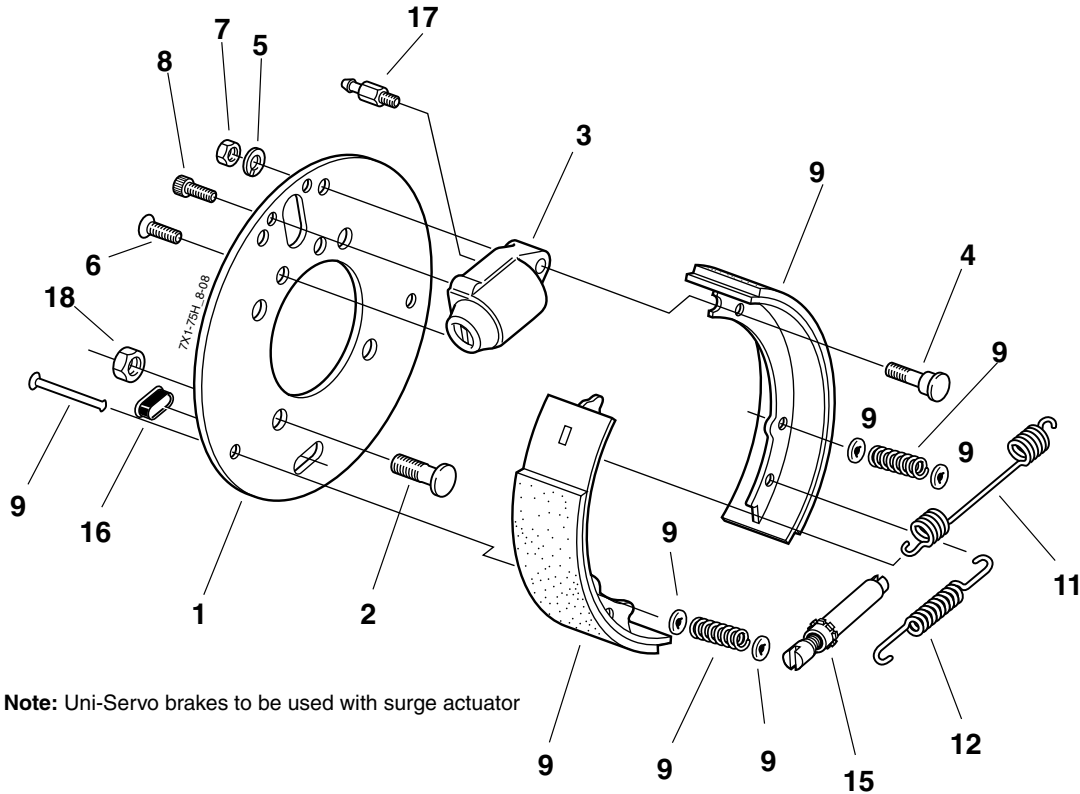
This brake is rated to a maximum capacity of 2200 lbs. / pair

7" x 1³/₄" Hydraulic Brake



CSA approved at 2500#/11.2 SLR

600 - 1100 LBS. CAPACITY



Note: Uni-Servo brakes to be used with surge actuator

Hydraulic Brake

Item	Part No.	Qty/Brk	Description
0	K23-398-00	1	LH Complete Brake Assembly (shown)
0	K23-399-00	1	RH Complete Brake Assembly
1	036-038-00	1	Backing Plate
2	007-041-00	4	Brake Mounting Bolt - Press-in
3	054-080-03	1	Wheel Cylinder Assembly - LH (includes item #17)
3	054-080-04	1	Wheel Cylinder Assembly - RH (includes item #17)
4	038-072-00	1	Anchor Post
5	005-004-00	1	Lock Washer
6	007-235-00	1	Counter Sunk Cap Screw
7	006-010-00	1	Hex Nut
8	007-234-00	1	Socket Head Cap Screw
9	K71-466-00	1	Shoe & Lining Kit Contains: 1 #040-327-01 Primary Shoe & Lining 1 #040-328-01 Secondary Shoe & Lining 2 #046-006-00 Shoe Hold Down Spring 4 #035-001-00 Shoe Hold Down Spring Cup 2 #049-014-00 Shoe Hold Down Pin
11	046-126-00	1	Retractor spring
12	046-127-00	1	Adjusting Screw Spring
15	043-004-00	1	Adjuster Screw Assembly
16	046-007-00	1	Adjuster Slot Plug
17	054-084-00	1	Bleeder Screw 6mm Thread (brakes before 1/97)
17	054-088-00	1	Bleeder Screw 7mm Thread (brakes after 1/97)
*18	006-017-00	4	Brake Mounting Nut

* Not included with complete brake assembly. Item sold separately.

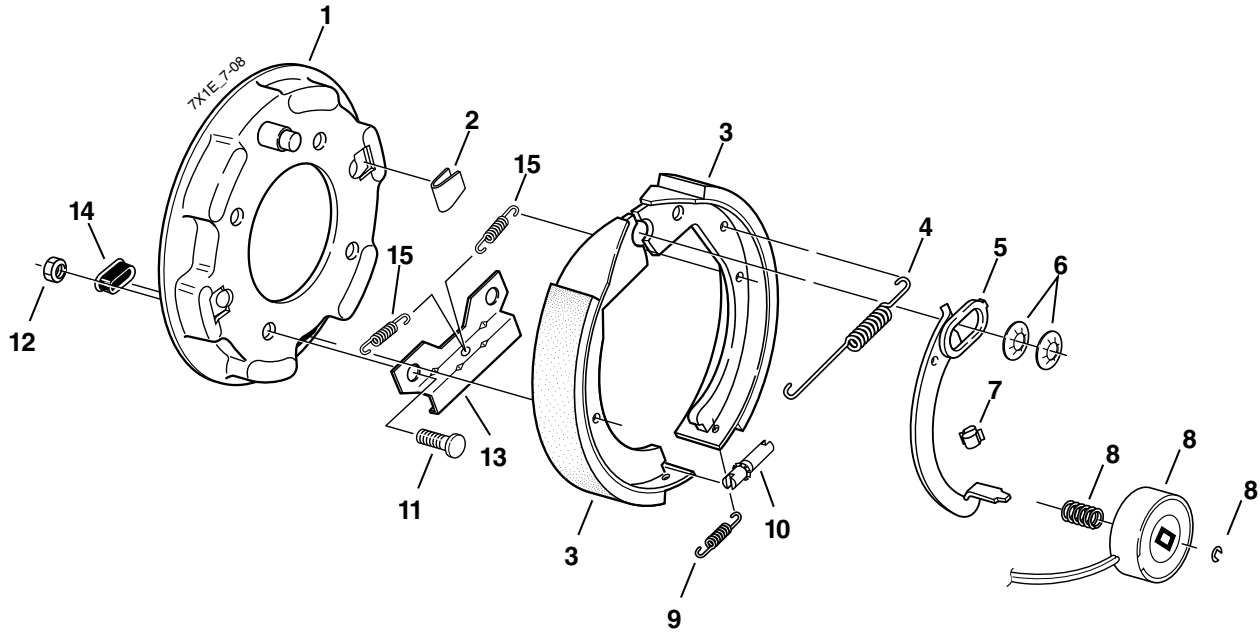
This brake is rated to a maximum capacity of 2200 lbs. / pair

7" x 1¼" Electric Brake



CSA approved at 2000#/11.3 SLR; 2200#/10.2 SLR

1000 - 2200 LBS. CAPACITY



Electric Brake

Item	Part No.	Qty/Brk	Description
0	K23-047-00	1	LH Complete Brake Assembly (shown)
0	K23-048-00	1	RH Complete Brake Assembly
1	036-036-04	1	Backing Plate Assembly (includes items #11, 13)
2	046-023-00	2	Shoe Hold Down Clip
3	K71-045-00	1	Shoe & Lining Kit Contains: 1 #040-125-00 Primary Shoe & Lining 2 #040-049-00 Secondary Shoe & Lining
4	046-024-00	1	Retractor spring
5	047-114-04	1	LH Actuating Lever Arm
5	047-115-04	1	RH Actuating Lever Arm
6	046-030-00	2	Anchor Post Clip
7	027-005-00	1	Wire Clip
For brakes manufactured after 4/1/90			
8	K71-057-00	1	Magnet Kit Contains: 1 #040-134-00 Magnet 1 #040-121-00 Magnet Clip 1 #046-086-00 Magnet Spring
9	046-022-00	1	Adjusting Screw Spring
10	043-021-00	1	Adjusting Screw
11	007-041-00	4	Brake Mounting Bolt - Press-in
*12	006-017-00	4	Brake Mounting Nut
13	064-001-00	1	Stabilizer Bracket
14	046-007-00	1	Adjuster Slot Plug
For brakes manufactured after 8/1/91			
15	046-114-00	2	Shoe Centering Spring

* Not included with complete brake assembly. Item sold separately.

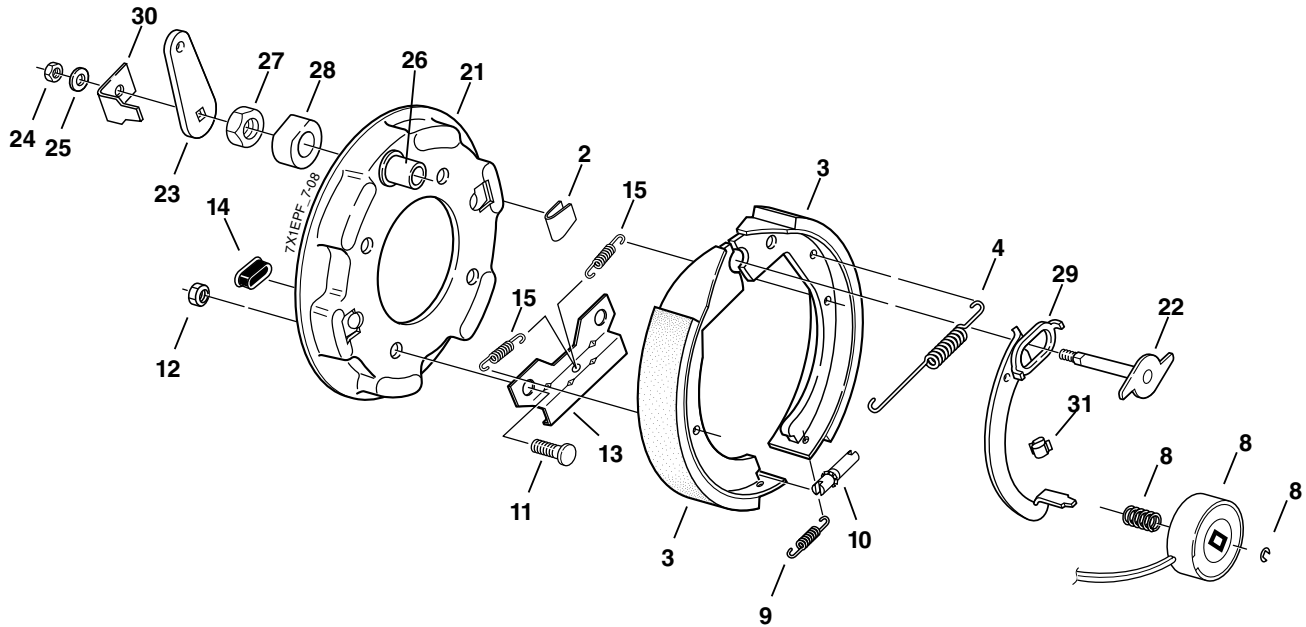
This brake is rated to a maximum capacity of 2200 lbs. / pair

7" x 1¼" Electric Brake With Parking Feature



CSA approved at 2000#/11.3 SLR; 2200#/10.2 SLR

1000 - 2200 LBS. CAPACITY



Electric Parking Brake

Item	Part No.	Qty/Brk	Description
0	K23-103-00	1	LH Complete Brake Assembly (shown)
0	K23-104-00	1	RH Complete Brake Assembly
2	046-023-00	2	Shoe Hold Down Clip
3	K71-045-00	1	Shoe & Lining Kit Contains: 1 #040-125-00 Primary Shoe & Lining 2 #040-049-00 Secondary Shoe & Lining
4	046-024-00	1	Retractor spring
For brakes manufactured after 4/1/90			
8	K71-057-00	1	Magnet Kit Contains: 1 #042-134-00 Magnet 1 #046-121-00 Magnet Clip 1 #046-086-00 Magnet Spring
9	046-022-00	1	Adjusting Screw Spring
10	043-021-00	1	Adjusting Screw
11	007-041-00	4	Brake Mounting Bolt - Press-in
*12	006-017-00	4	Brake Mounting Nut
13	064-001-00	1	Stabilizer Bracket
14	046-007-00	1	Adjuster Slot Plug
For brakes manufactured after 8/1/91			
15	046-114-00	2	Shoe Centering Spring

* Not included with complete brake assembly. Item sold separately.

Electric Parking Brake

Item	Part No.	Qty/Brk	Description
21	036-036-07	1	LH Backing Plate & Lever Arm (includes items #22-30, 2, 11, 13)
21	036-036-08	1	RH Backing Plate & Lever Arm (includes items #22-30, 2, 11, 13)
22	039-041-00	1	LH Pivot Pin & Cam Sub-Assembly
22	039-042-00	1	RH Pivot Pin & Cam Sub-Assembly
23	047-079-00	1	Lever
24	006-075-00	1	Self Locking Nut
25	005-056-00	1	Washer
26	038-057-00	1	Anchor Pin
27	006-074-00	1	Self Locking Nut
28	071-031-00	1	Spacer
29	047-114-02	1	LH Lever Arm & Cam Assembly
29	047-115-02	1	RH Lever Arm & Cam Assembly
30	071-033-00	1	Lever Stop
31	027-005-00	1	Wire Clip

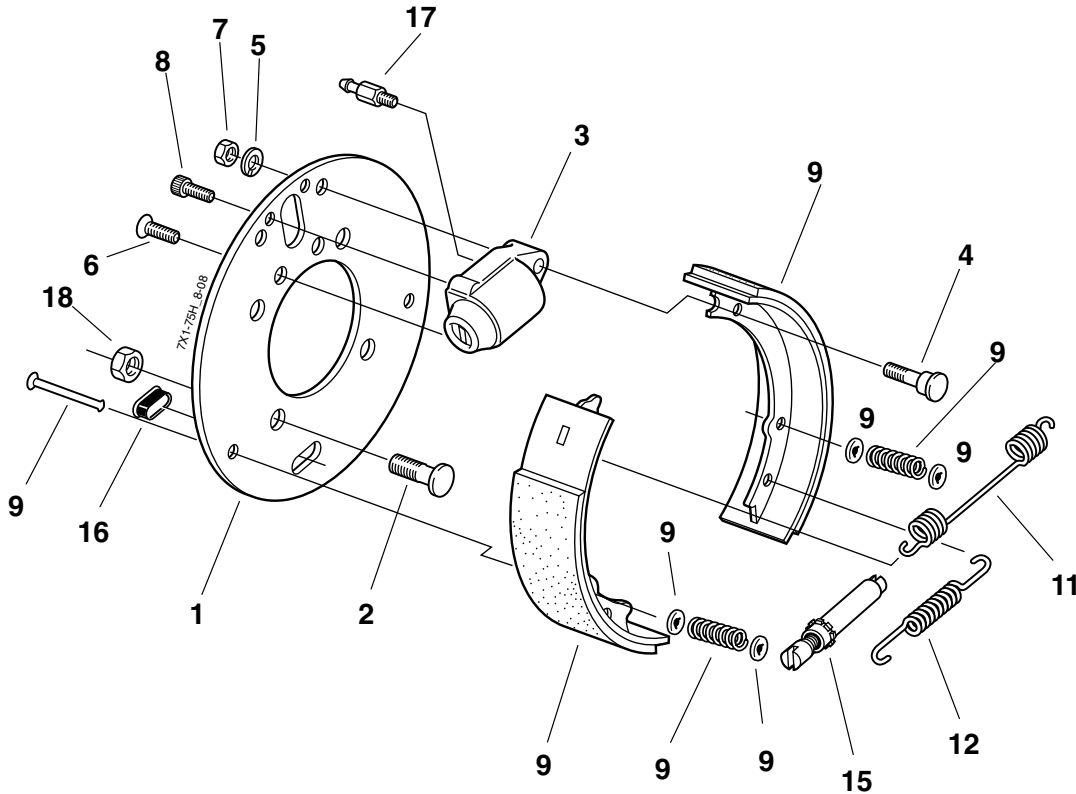
This brake is rated to a maximum capacity of 2200 lbs. / pair

7" x 1³/₄" Hydraulic Brake



CSA approved at 2500#/11.2 SLR

1000 - 2200 LBS. CAPACITY



Hydraulic Brake

Item	Part No.	Qty/Brk	Description
0	K23-398-00	1	LH Complete Brake Assembly (shown)
0	K23-399-00	1	RH Complete Brake Assembly
1	036-038-00	1	Backing Plate
2	007-041-00	4	Brake Mounting Bolt - Press-in
3	054-080-03	1	Wheel Cylinder Assembly - LH (includes item #17)
3	054-080-04	1	Wheel Cylinder Assembly - RH (includes item #17)
4	038-072-00	1	Anchor Post
5	005-004-00	1	Lock Washer
6	007-235-00	1	Counter Sunk Cap Screw
7	006-010-00	1	Hex Nut
8	007-234-00	1	Socket Head Cap Screw
9	K71-466-00	1	Shoe & Lining Kit Contains: 1 #040-327-01 Primary Shoe & Lining 1 #040-328-01 Secondary Shoe & Lining 2 #046-006-00 Shoe Hold Down Spring 4 #035-001-00 Shoe Hold Down Spring Cup 2 #049-014-00 Shoe Hold Down Pin
11	046-126-00	1	Retractor spring
12	046-127-00	1	Adjusting Screw Spring
15	043-004-00	1	Adjuster Screw Assembly
16	046-007-00	1	Adjuster Slot Plug
17	054-084-00	1	Bleeder Screw 6mm Thread (brakes before 1/97)
17	054-088-00	1	Bleeder Screw 7mm Thread (brakes after 1/97)
*18	006-017-00	4	Brake Mounting Nut

* Not included with complete brake assembly. Item sold separately.

This brake is rated to a maximum capacity of 2200 lbs. / pair